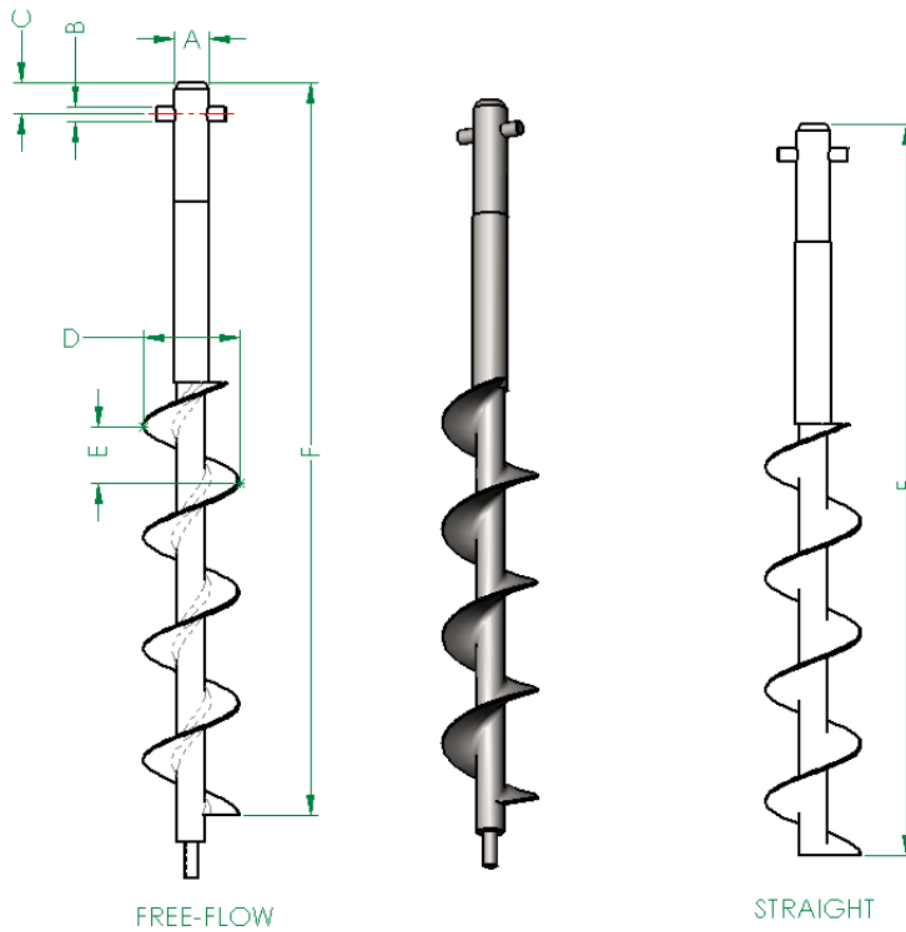


STRAIGHT AUGERS

Straight Augers are typically used for free flowing powders such as granulated sugar, salt, bread crumbs, etc. They are commonly used with high and slow speed agitator blades, a straight funnel, collector funnels, spinner plates, etc. Use this page to specify new and replacement Straight Augers used with AMS, All-Fill, Mateer-Burt, Bartelt, Spee-Dee and Image.

Dimensions & Specifications

- A Stem Diameter: _____
- B Pin Diameter: _____
- C Pin Location: _____
- D Flight Diameter: _____
- E Flight Pitch: _____
- F Overall Length: _____



THE SPECIALIST IN FILLING APPLICATIONS FOR OVER 30 YEARS

2500 Chestnut Tree Road, Honey Brook, PA 19344
(610) 942-4200 • FAX: (610) 942-7123 • TOLL-FREE: (800) 647-5390
sales@amsfilling.com • www.amsfilling.com

