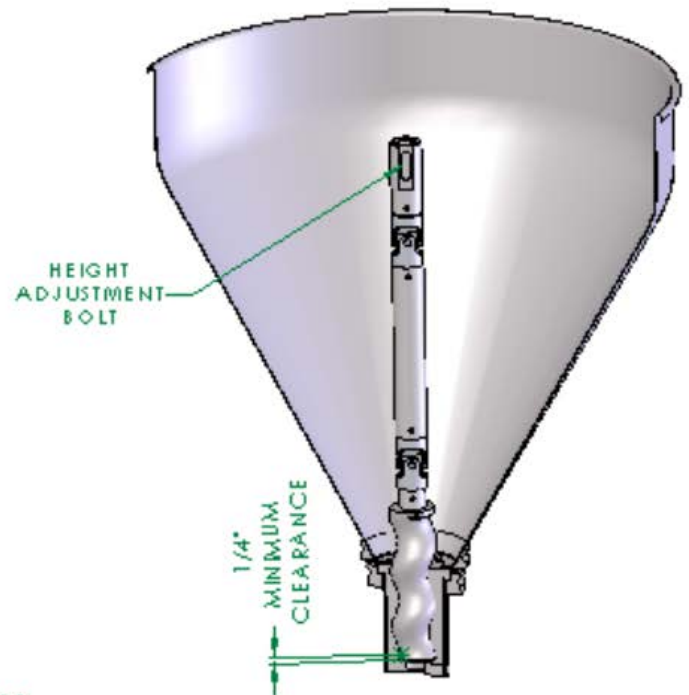
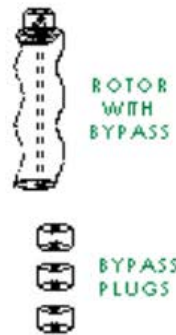
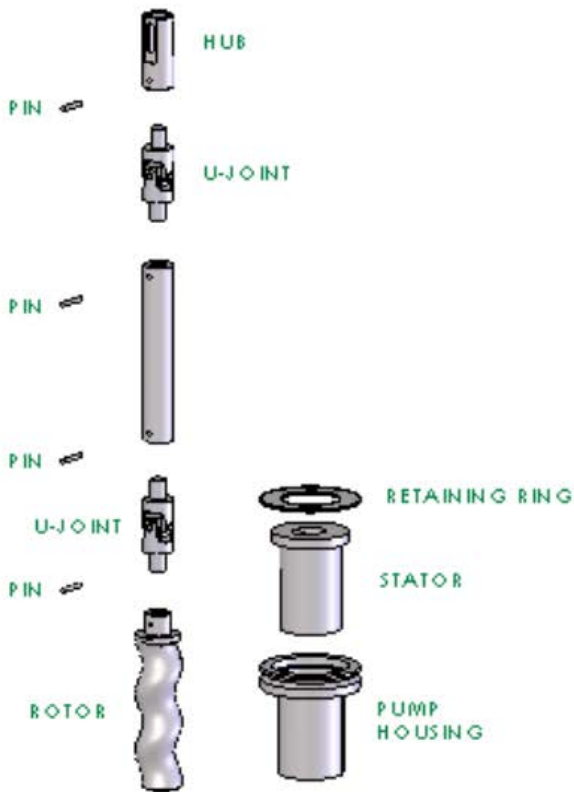
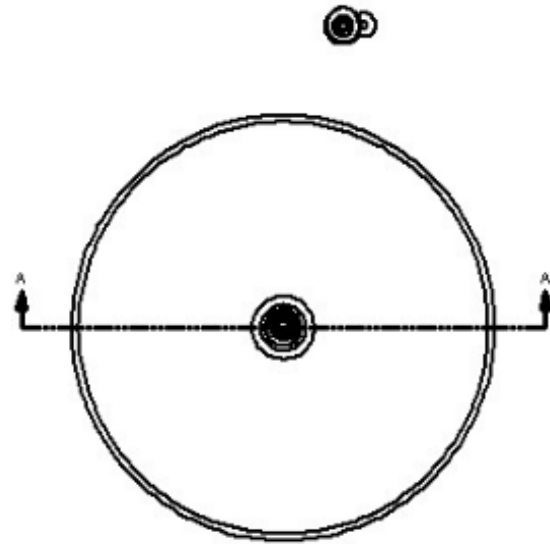


# VISCOUS AND LIQUID ACCESSORY SETUP

## Part Identification

1. Hub
2. Pin
3. U-Joint
4. Rotor
5. Retaining Ring
6. Stator
7. Pump Housing
8. Rotor with Bypass
9. Bypass Plugs
10. Height Adjustment Bolt



THE SPECIALIST IN FILLING APPLICATIONS FOR OVER 30 YEARS

2500 Chestnut Tree Road, Honey Brook, PA 19344  
(610) 942-4200 • FAX: (610) 942-7123 • TOLL-FREE: (800) 647-5390  
sales@amsfilling.com • www.amsfilling.com

