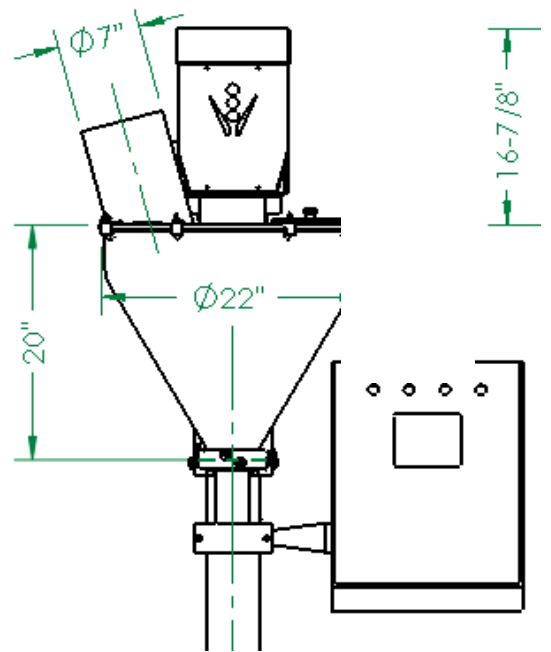
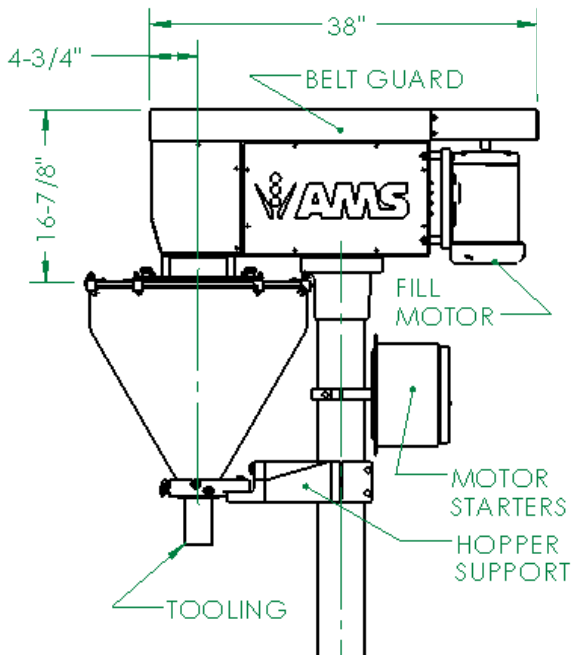


VERTICAL FORM-FILL-SEAL AUGER FILLERS

In addition to the supply of augers, funnels and other accessories; AMS Filling Systems can supply complete auger filling assemblies for use with Vertical Form-Fill-Seal (VFFS) equipment. Use this page to specify an auger filling assembly for your equipment.

Specifying Information

VFFS (Manufacturer/Model): _____
Product: _____
Amount of Fill: _____
Pouch Size: _____
Production Rate: _____
Accuracy: _____
Forming Tube (I.D.): _____



THE SPECIALIST IN FILLING APPLICATIONS FOR OVER 30 YEARS

2500 Chestnut Tree Road, Honey Brook, PA 19344
(610) 942-4200 • FAX: (610) 942-7123 • TOLL-FREE: (800) 647-5390
sales@amsfilling.com • www.amsfilling.com

