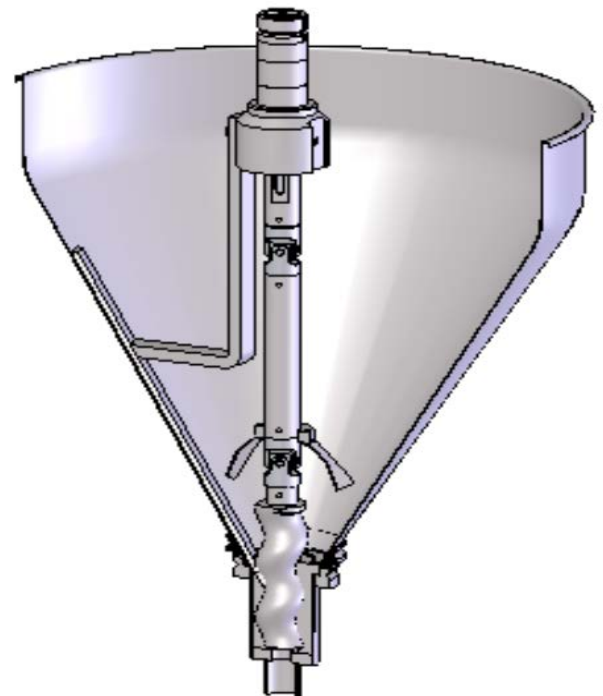
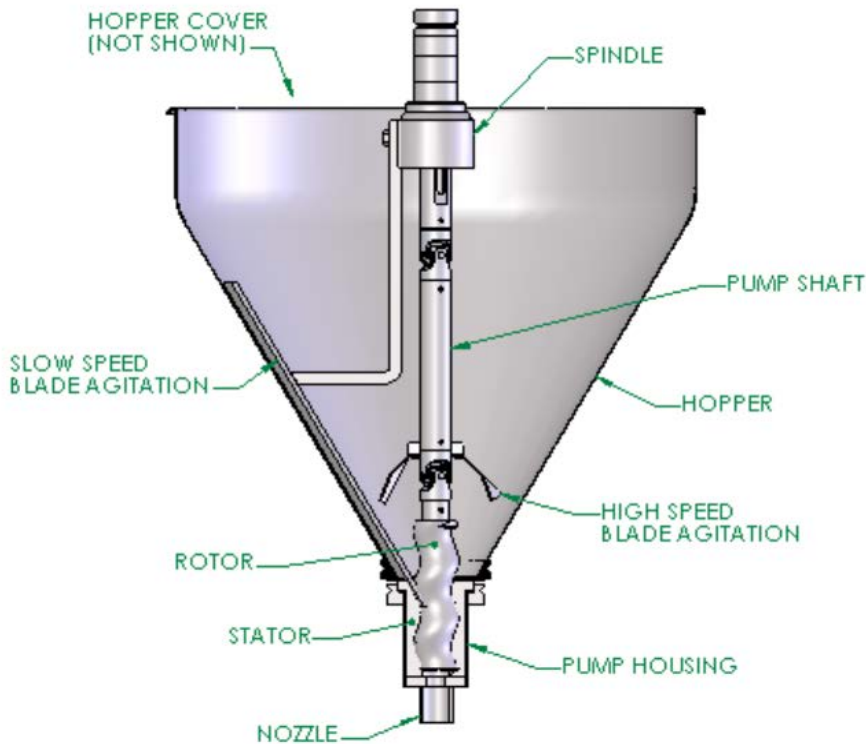
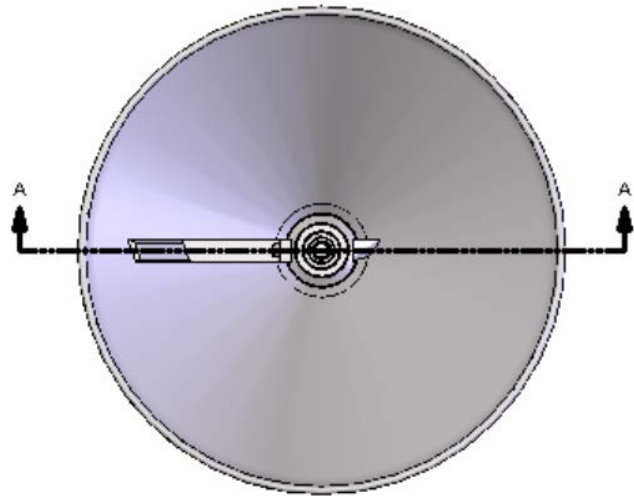


LIQUID TOOLING

Part Identification

- 1 22" Hopper
- 2 Hopper Cover
- 3 Spindle
- 4 Pump Housing
- 5 Pump Shaft
- 6 High Speed Blade Agitation
- 7 Slow Speed Blade Agitation
- 8 Nozzle
- 9 Stator
- 10 Rotor



THE SPECIALIST IN FILLING APPLICATIONS FOR OVER 30 YEARS

2500 Chestnut Tree Road, Honey Brook, PA 19344
(610) 942-4200 • FAX: (610) 942-7123 • TOLL-FREE: (800) 647-5390
sales@amsfilling.com • www.amsfilling.com

