

FUNNELS

Straight funnels are generally used with free flowing products and straight augers. Also, in most applications they often include the use of a collector funnel. When filling non-free flowing products the use of lip funnels and self-feeding augers are used in order to push product out of the hopper. This page is used to specify and order new, spare and replacement straight and lip funnels for augers and filling machines from AMS, All-Fill, Mateer-Burt, Bartelt, Spee-Dee and Image.

Dimensions & Specifications

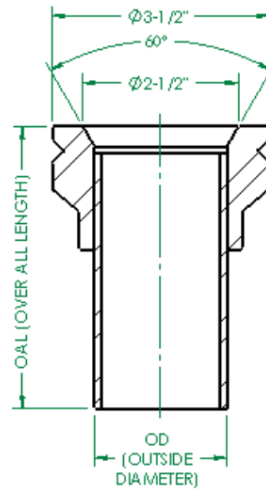
Size:

- _____ 3 1/2" Hub (Augers 4-32)
- _____ 4" Hub (Augers 34-52)

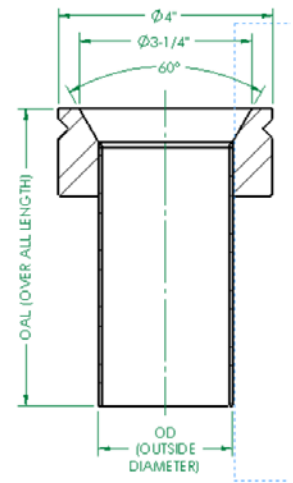
Type:

- _____ Straight
- _____ Lip

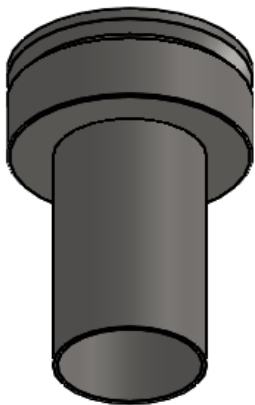
3.5" HUB STRAIGHT



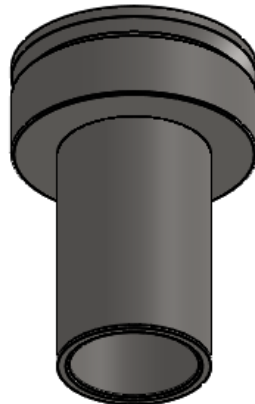
4" HUB STRAIGHT



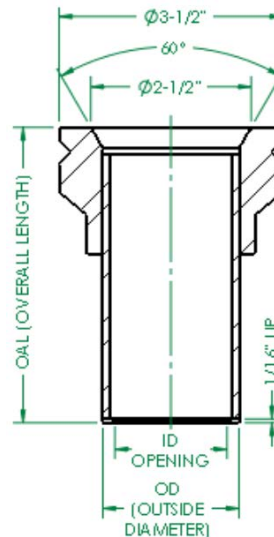
STRAIGHT FUNNEL



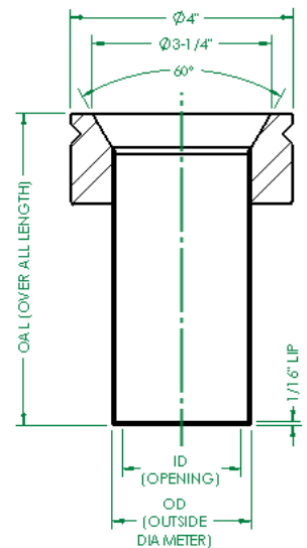
LIP FUNNEL



3.5" HUB STRAIGHT



4" HUB STRAIGHT



THE SPECIALIST IN FILLING APPLICATIONS FOR OVER 30 YEARS

2500 Chestnut Tree Road, Honey Brook, PA 19344
 (610) 942-4200 • FAX: (610) 942-7123 • TOLL-FREE: (800) 647-5390
 sales@amsfilling.com • www.amsfilling.com

